

MICRO SWITCH

A DIVISION OF MINNEAPOLIS-HONEYWELL REGULATOR COMPANY
FREDRICK, MINNESOTA

FED. MFR. CODE 91929

SWITCH - BASIC

CATALOG LISTING

MT-4R

(M) MT-4R
ISSUE 8

MT-4R

M

DRAWING NUMBER

ISSUE 10
14
12
13

REPLACES

RELEASE NO.

CHECK

CHECK

CHECK

CHECK

CHECK

CHECK

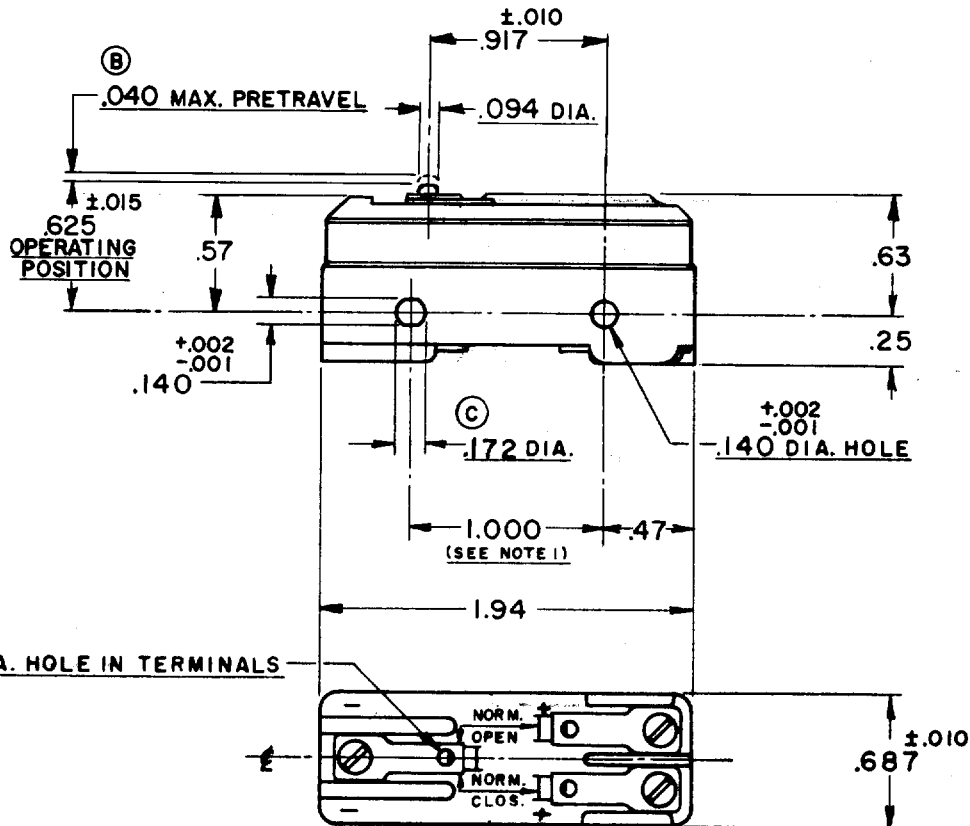
CHECK

CHECK

CHECK

CHECK

CHECK



NOTE -

- 1- MOUNTING HOLES WILL ACCEPT PINS OR SCREWS OF .139 MAX. DIA. ON 1.000^{±.002} CENTERS.
- 2- FOR BEST RESULTS EITHER POLARIZE THE SWITCH WITH COMMON TERMINAL BEING OF NEGATIVE POLARITY OR MOUNT THE SWITCH WITH BRASS SCREWS AND SPACE AT LEAST .250 FROM MAGNETIC MATERIALS.

THIS DRAWING COVERS A PROPRIETARY ITEM AND IS THE PROPERTY OF MICRO SWITCH, A DIVISION OF HONEYWELL. THIS DRAWING IS NOT TO BE COPIED OR USED WITHOUT THE APPROVAL OF MICRO SWITCH.

CHARACTERISTICS

OPERATING FORCE ----- 12-18 OZ.
 RELEASE FORCE ----- 5 OZ. MIN.
 DIFFERENTIAL TRAVEL ----- .004-.007
 OVERTRAVEL ----- .005 MIN.

ELECTRICAL DATA

CONTACT ARRANGEMENT S. P. D. T.			
NON-POLARIZED	VOLTS D-C 125 250	MOTOR 1/4 HP + -	RESISTIVE 10 AMPS 1.5 TO 3.0
POLARIZED OR NON-MAGNETICALLY MOUNTED	VOLTS D-C 125 250	MOTOR 1/2 HP + -	RESISTIVE 10 AMPS 1.5 TO 3.0
* NOT SUITABLE FOR USE AT LESS THAN 1.5 AMPS + WILL NOT BREAK LOCKED ROTOR CURRENT			

SCALE FULL

DO NOT SCALE PRINT
 UNLESS OTHERWISE SPECIFIED
 DIMENSIONS ARE IN INCHES
TOLERANCES ARE:
 ONE PLACE (.0) ±.030
 TWO PLACE (.00) ±.015
 THREE PLACE (.000) ±.005
 ANGLES ±

UNCL. LAB. INC. LISTED RATING (NON-POLARIZED)
 - LIG - 10 A - 125 VDC OR AC; 1/4 HP - 125 VDC

WEIGHT .060 LB.

DRAWN
C.M.A. 4 AUG 55

CHECK G.C.H. 19 AUG 55

CHECK

CHECK

CHECK

CHECK